

## Lead Free Brass Solder Tankless Water Heater Valve Kit

### Feature

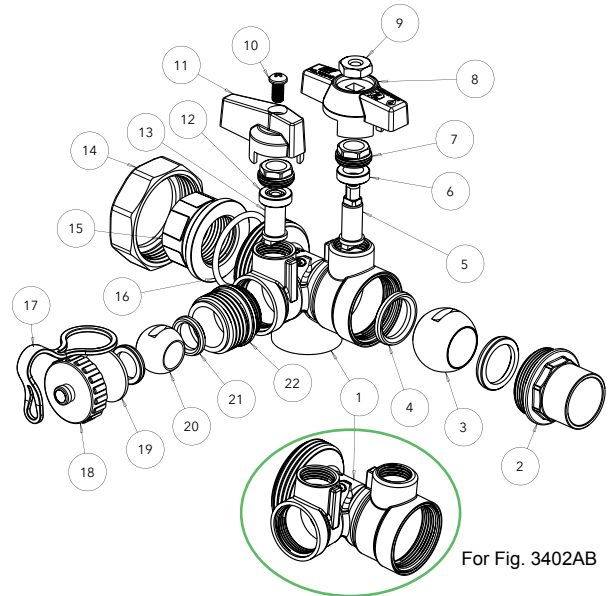
- 600# WOG (non-shock)
- Lead free brass construction
- ¼ turn operation
- Full port
- Adjustable packing
- Blow-out proof stem
- Integral hose end drain/purge valve
- Solder end x FNPT tailpiece (ASME B1.20.1-NPT)
- Integral relief valve port (3/4")
  - 3400RAB: 200K BTU/hr relief
  - 3400SAB: 500K BTU/hr relief
  - 3400TAB: 2.7M BTU/hr relief
- AB1953, NSF/ANSI/CAN 61 & 372 certified



- 3401AB: Hot valve operation (red handle)
- 3402AB: Cold valve operation (blue handle)

### Material

	Part	Material	Specification
1	Body	Lead Free Brass	ASTM B927 C27450
2	Fixed end	Lead Free Brass	ASTM B927 C27450
3	Ball	Lead Free Brass / Cr plated	ASTM B927 C27450
4	Seat	PTFE	PTFE
5	Stem	Lead Free Brass	ASTM B927 C27450
6	Packing ring	PTFE	PTFE
7	Packing nut	Brass	ASTM B124 C37700
8	T-handle	Aluminum	ASTM B85
9	Handle nut	Steel /Zn plated	ASTM A36
10	Handle screw	Steel /Zn plated	ASTM A36
11	Handle	Aluminum	ASTM B85
12	Packing ring	PTFE	PTFE
13	Stem	Lead Free Brass	ASTM B927 C27450
14	Union nut	Brass	ASTM B283 C37700
15	Union	Lead Free Brass	ASTM B927 C27450
16	O-ring	EPDM Perox	NSF approved
17	Cap retainer	Rubber	-
18	Drain cap	Brass	ASTM B283 C37700
19	Drain gasket	EPDM Perox	NSF approved
20	Ball	Lead Free Brass / Cr plated	ASTM B927 C27450
21	Seat	PTFE	PTFE
22	Fixed end	Lead Free Brass	ASTM B927 C27450

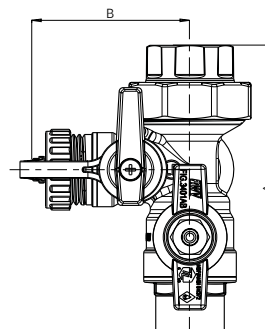


For Fig. 3402AB

### Dimension, Weight

Size	Φ [in]	ΦSC [in]	ΦS [in]	ΦP [in]	A [in]	B [in]	C [in]	H [in]	Wt.* [lb]
¾"	¾ - 14NPT	¾ - 14NPT	0.877-0.881	0.73	4.28	2.35	1.14	1.66	1.74 / 1.64
1"	1 - 11.5NPT	¾ - 14NPT	1.128-1.131	0.98	4.64	2.54	1.35	2.11	1.89 / 1.77

\*3401AB / 3402AB



3401AB

3402AB

