

INSTALLATION PROCEDURE

Before Installation

⚠ DANGER

This Vent Cap is for outdoor installation only.
Never install it indoors.
Do not enclose the termination with corrugated metal or other materials.
This will cause carbon monoxide poisoning and a potential fire hazard.

⚠ WARNING

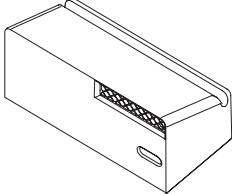
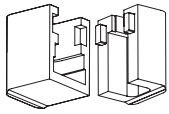
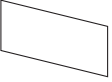
- This Vent Cap is limited to use on the models which are permitted. Follow the installation manual of the unit.
- Do not attempt to disassemble, repair or alter the equipment yourself.
It may cause fire, property damage or exposure to Carbon Monoxide.

⚠ CAUTION

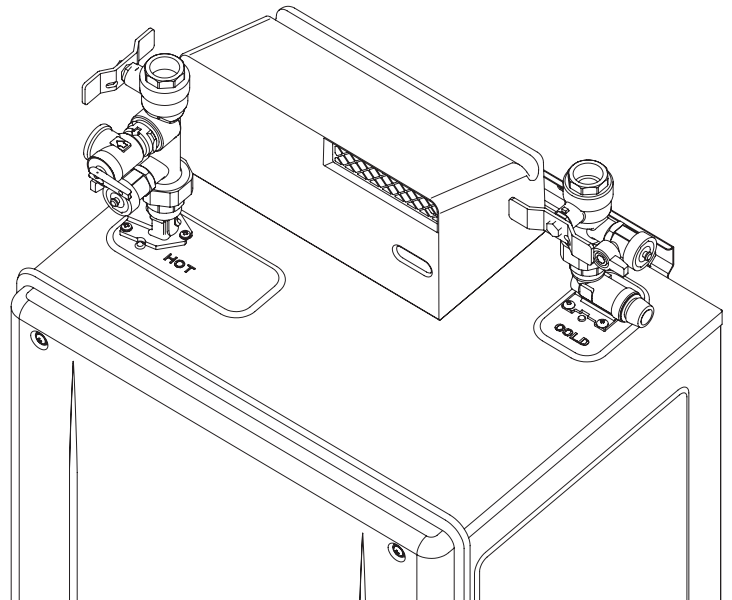
Do not use Vent Cap if there are signs of damage or dents.

*Refer to the Installation Manual provided with the water heater for detail completed installation.

Included Accessories

Part No.	Part	Shape	Qty
①	Vent Cap Not approved for use in Canada.		1
②	Weather Guard		1set
③	Weather Wrap		1

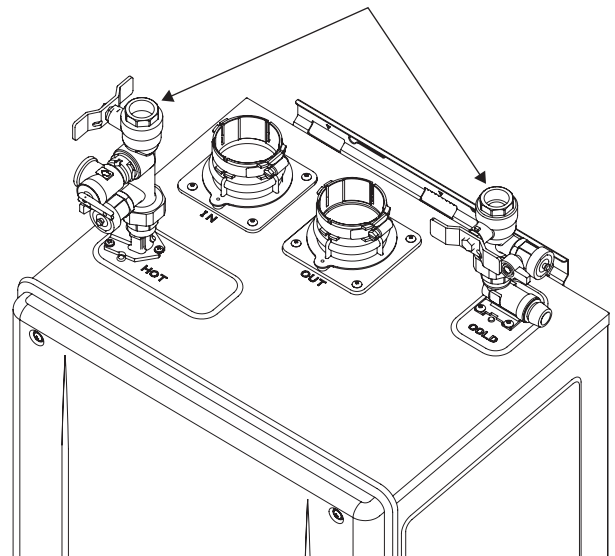
Complete Image



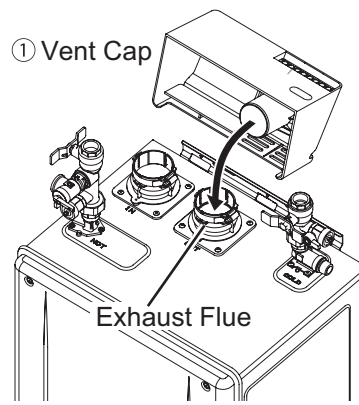
Installation of the Vent Cap

- 1 - Connect Isolation Valves to the Inlet / Outlet water connection.
- Secure the unit to the wall in accordance with unit's Installation Manual.

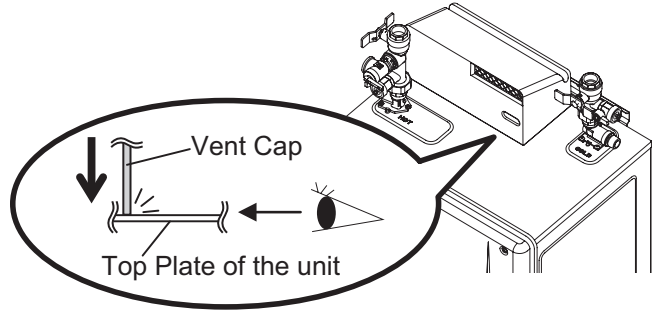
Isolation Valves



- 2** Insert the Vent Cap's flue into the Exhaust Flue of the unit.

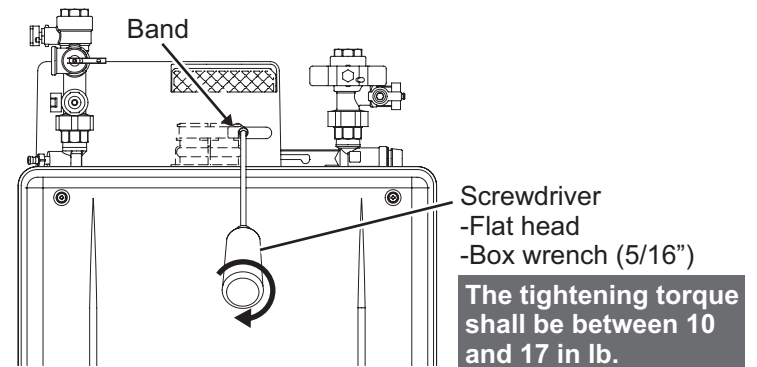


- 3** Insert the Vent Cap until the Vent Cap touches the top plate of the unit.

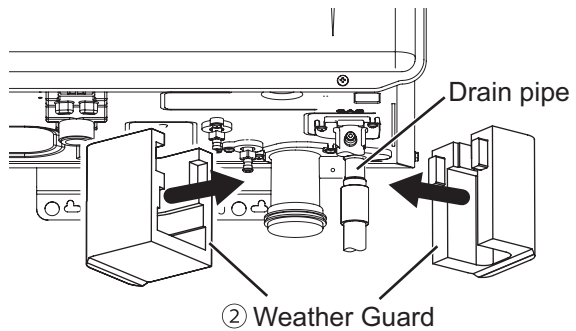


- 4** Secure the Vent Cap by screwing the band through approach hole.
Only tighten by a hand screwdriver.

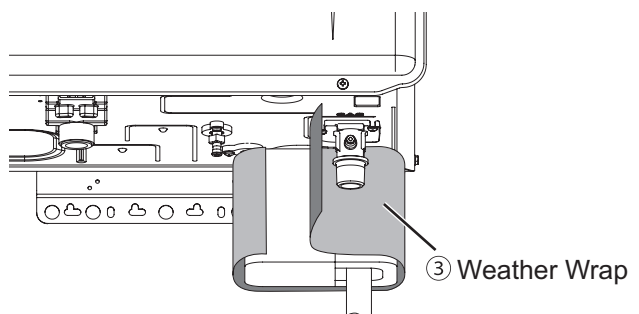
NOTE Do not use electric drivers, impact drivers and so forth.



- 5** Install the Weather Guard around the Condensate Container.



- 6** Secure the Weather Wrap around the Weather Guard.



- 7** Remove the Front Cover of the unit and change the DIP switches to Outdoor setting in accordance with the unit's Installation Manual.
Then re-secure the Front Cover of the unit.