

# Installation Manual (SV Conversion Kit)

## ⚠ WARNING

- Read this installation manual carefully, and follow the installation instructions.
- Use of this kit converts the water heater to non-direct vent (SV) operation. Failure to perform the below steps could result in a fire or explosion causing property damage, personal injury or death, which are not covered by the warranty.

\*Refer to the Installation Manual provided with the water heater for additional details on completing the installation.

## Included Accessories

Check for any missing items before starting the installation:

Part No.	Part	Qty
①	Air Intake Filter	1
②	Installation Manual Checklist (this document)	1

## Installation Checklist

Be sure to check the following items after installation:

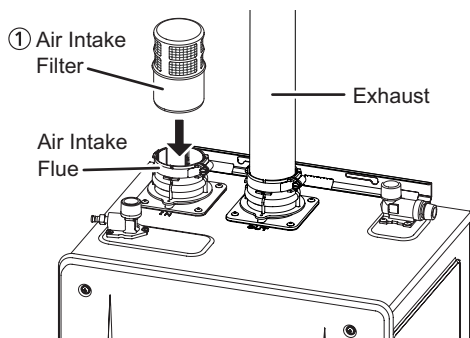
Item	Ref. No.	Description	Check
Air Intake	1	Are the Air Intake Filter properly installed?	
	2	Make sure the opening for supplying combustion air into the room according to the water heater installation manual?	
DIP Switch	2	Ensure that DIP switch No.3 is ON. *Only No.3 is used for SV conversion. For other switches, refer to the Installation Manual provided with the water heater.	

## Installation

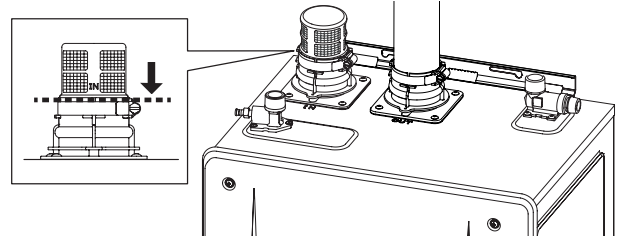
### <Air Intake>

1. Insert the Air Intake Filter into the Air Intake Flue (on the left side of the unit).

**NOTE** Avoid installation near a washer/dryer. Lint/dust from the washer/dryer can clog the Inlet Screen causing incomplete combustion to occur.

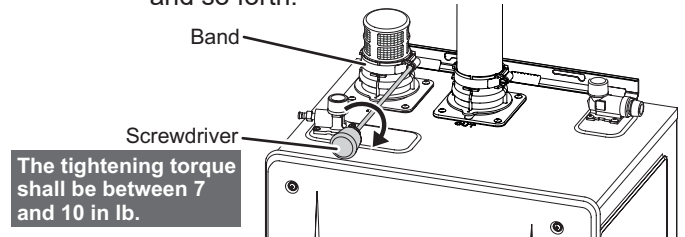


2. Continue to insert Air Intake Filter until it reaches to the base of the Air Intake Flue.



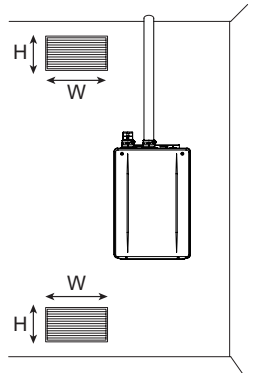
3. Secure the band.  
Only tighten by a hand screwdriver.

**NOTE** Do not use electric drivers, impact drivers and so forth.



4. Combustion Air

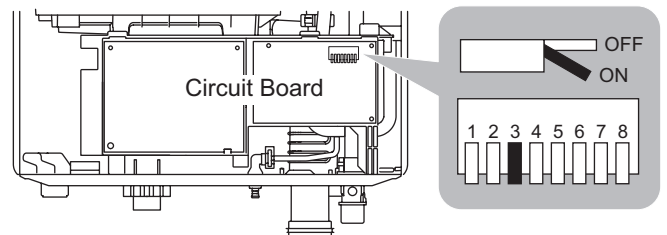
- Supply combustion air to the Water Heater as per the National Fuel Gas Code, ANSI Z223.1 - latest edition and in Canada, in accordance with the Natural Gas and Propane Installation Code CSA B149.1 - latest edition.
- The minimum air supply opening is different from each water heater.
- Refer to the installation manual provided with the water heater for a detail minimum air supply opening (width/height).



### <DIP Switch>

1. Disconnect power to the water heater.
2. Turn ON DIP switch No.3.

**NOTE** Failure to disconnect power will result in a "73" code displayed on the remote controller and a cease in operation. If this occurs, disconnect, then reconnect power to the water heater to reset the system.



## Note to the installer

Notify the customer that periodical checking and cleaning of the Air Intake Filter will be required to clean off any accumulated dust/debris with a vacuum cleaner or damp towel. Do not remove the Air Intake Filter from the Air Intake Flue when cleaning of Air Intake Filter. A clogged Air Intake Filter will cause incomplete combustion to occur.

